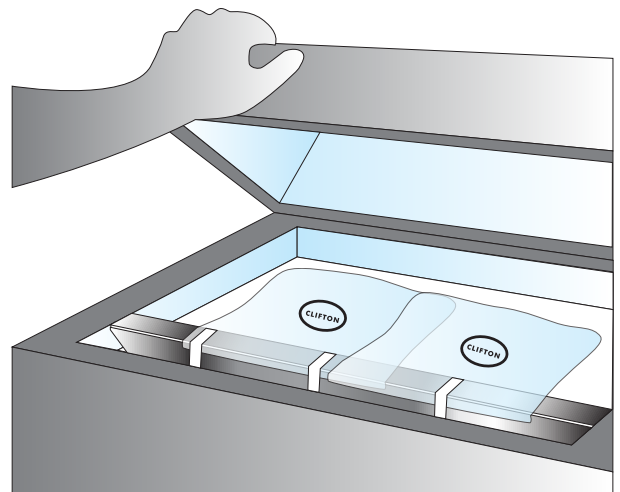
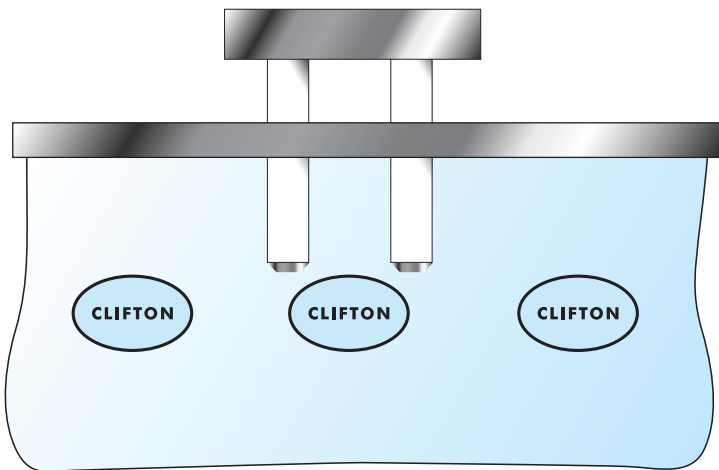




CLIFTON PACKAGING GROUP LTD
the total packaging solution

C-VAC & GAS

Vacuum & Gas Flush Pouches



www.cliftonpackaging.com

C-VAC Vacuum Pouches

Vacuum Bags & Pouches

All our C-VAC pouches are suitable for use with all vacuum / gas chamber type table top, floor standing and swing lid machines.

Our 2/3 side seal vacuum bags are engineered using 5-7 multi layer coextruded films by using combinations of Nylon (PA) and Polythene (PE). This gives them a high moisture and oxygen barrier and so are ideal for extending shelf life of products.

Our C-VAC range can also be used for boil in the bag, hot fill (upto 90°C), pasteurisation, chilled and frozen applications.

Our C-VAC TBG (Tough Bone Guard) has been engineered to have superior puncture resistance and is suitable for products with sharp edges such as bone in meat / ribs, bone in chicken, mussels, shellfish and pistachios etc.



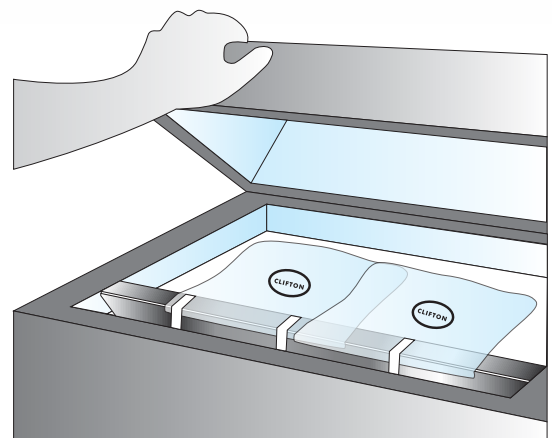
Characteristics

- C-VAC is a purpose designed vacuum / gas pouch.
- C-VAC has good oxygen and moisture barrier.
- Seals through contamination and can be overlapped in a chamber machine.
- Good Puncture Resistance.
- Suitable for use in wet and humid environments.



Applications

- Fresh Meat.
- Fish.
- Poultry.
- Sausages and Cured Meats.
- Cooked Meats.
- Cheese.
- Bread.
- Sauces and Soups.
- Processed Produce.
- Boil in the Bag and Pasteurization.
- Ready Meals.
- Non food.



C-GAS Gas Flush Pouches

Bulk Gas Flush Bags

All our C-Gas pouches are suitable for use with all snorkel type gas flush machines such as CVP A200 / A300, MAP II & M-Tek Corr-vac machines with or without bag stretchers.

Our C-Gas bags are engineered with multi layer coextruded films by using combination of sandwiched Nylon (PA) between Polythene (PE) on the outside and Modified PE sealing layers on the inside.

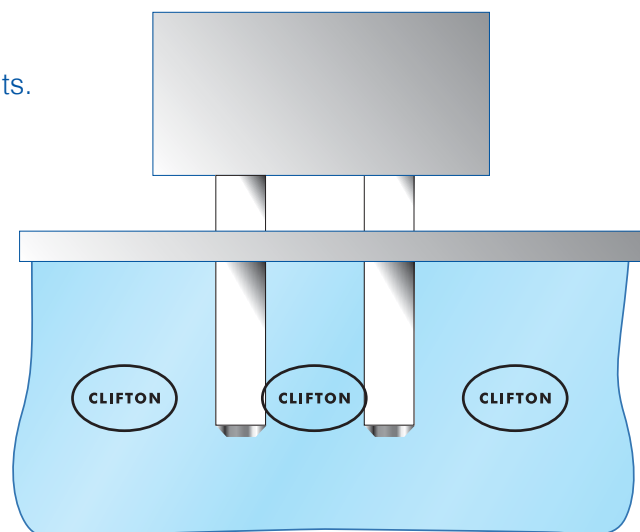


Characteristics

- C-GAS is a purpose designed bulk gas flush pouch.
- C-GAS has good oxygen and moisture barrier.
- Seals through contamination and folds.
- Good puncture resistance.
- Suitable for use in wet and humid environments.

Applications

- Fresh Meat.
- Cooked Meats.
- Fish.
- Poultry.
- Cheese.
- Non Food.



We can offer full technical back up and support on our products including gas flush machines.

C-VAC & GAS

C-VAC Vacuum Pouches

C-GAS Gas Flush Pouches



CLIFTON PACKAGING GROUP LTD

Meridian Business Park, Centurion Way, Leicester, LE19 1WH (U.K) - Tel: +44 (0)116 289 3355 - Fax: +44 (0)116 289 1113

Email: info@cliftonpackaging.co.uk - Web: www.cliftonpackaging.com

Copyright © Clifton Packaging Group Ltd. 2009